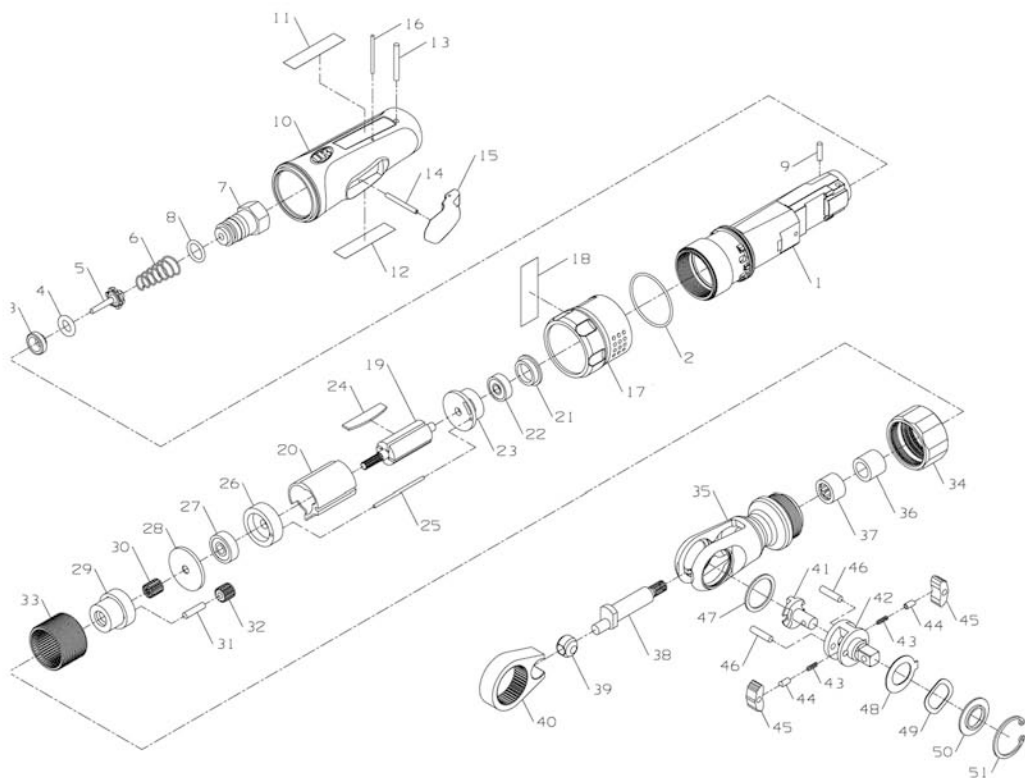


1200 · Art.-Nr. 60406  
1210 · Art.-Nr. 60405



(Dwg. TP2266)

## 1200 and 1210 Air Ratchet Wrench Parts List

Item	Part Description	Part Number	Item	Part Description	Part Number
	Housing Assembly	1200-A40	33	Internal Gear	1200-406
1	Housing		34	Coupling Nut	1200-27
2	O-ring			Ratchet Housing Assembly	1200-A322
3	Valve Seat Base		35	Ratchet Housing	
4	Valve Seat O-ring		36	Crankshaft Bushing	
5	Throttle Valve		37	Crankshaft Needle Bearing	
6	Throttle Valve Spring		38	Crankshaft	1200-35
7	Swivel Inlet		39	Drive Bushing	109-36
8	Swivel Inlet O-ring		40	Yoke	109XP-37
9	Swivel Inlet Retaining Pin		41	Reverse Button	
	Composite Housing Assembly		42	Anvil Assembly	
	for 1200	1200-A747		for 1200	109XP-44
	for 1210	1210-A747		for 1210	1099XP-44
10	Composite Housing			Pawl Kit	1200-K43
11	Nameplate		43	Lock Spring and Damper (2)	
	for 1200	1200-301	44	Lock Pin (2)	
	for 1210	1210-301	45	Pawl (2)	
12	Information Label	1200-300	46	Pawl Retaining Pin (2)	
13	Composite Housing Retaining Pin			Spring Kit	1200-SK
	Trigger Kit	1200-K93	47	Friction Disc	
14	Trigger Plunger		48	Spacer	
15	Trigger Lever		49	Friction Washer	
16	Trigger Lever Pin		50	Thrust Washer	
	Exhaust Deflector Assembly	1200-A123	51	Retaining Ring	
17	Exhaust Deflector			Tune-up Kit (includes items 2 through 9, 13, 14, 16, 21, 22, 24 and 27)	1200-TK1
18	Warning Label	1200-99		Ratchet Head Kit (includes items 41 through 51)	
19	Rotor	1200-53		for 1200	1200-TRK1
20	Cylinder	1107-3		for 1210	1210-TRK1
	Motor Kit	1200-MK		Oil - Ingersoll-Rand No. 10 (4 oz. bottle)	10Z4
21	End Cap			Grease	
22	Rear Rotor Bearing			Ingersoll-Rand No. 28 (1 lb can)	28 1 LB
23	Rear End Plate			Ingersoll-Rand No. 28 (8 lb can)	28 8 LB
24	Vane (4)			Ingersoll-Rand No. 66 (1 lb can)	66 1 LB
25	Cylinder Pin			Ingersoll-Rand No. 66 (8 lb can)	66 8 LB
26	Front End Plate			Spline Wrench (for removal of item 33)	1107-SW
27	Front Rotor Bearing				
28	Spacer				
29	Spindle	1200-8			
	Planetary Gear Set	1200-K9			
30	Inner Gear				
31	Planet Gear Shaft (3)				
32	Planet Gear (3)				