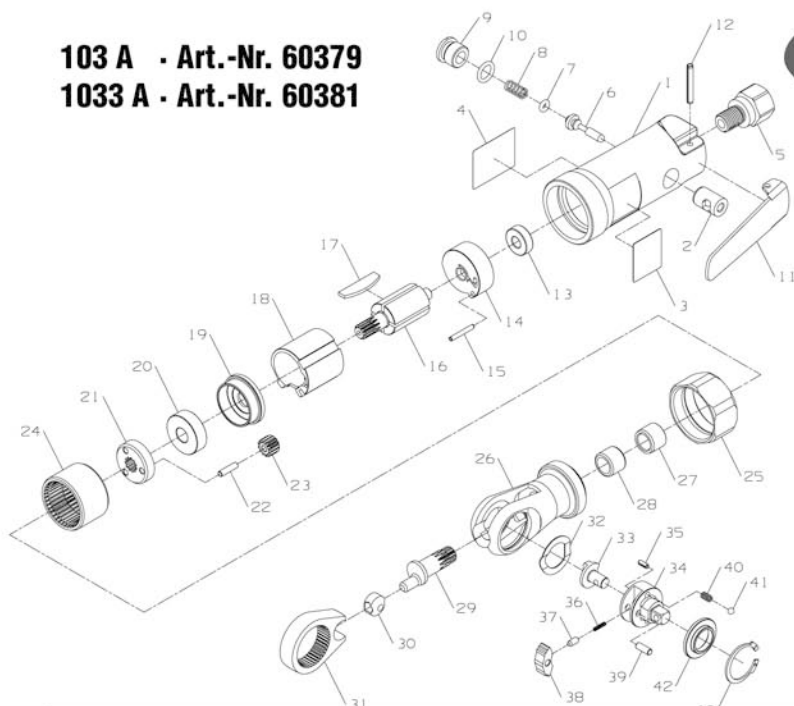


103 A - Art.-Nr. 60379
1033 A - Art.-Nr. 60381



103A and 1033A Air Ratchet Wrench Parts List

Item	Part Description	Part Number	Item	Part Description	Part Number
	Housing Assembly			Ratchet Housing Assembly	103A-A322
	for 103A	103A-A40	26	Ratchet Housing	
	for 1033A	1033A-A40	27	Crankshaft Bushing	
1	Housing		28	Crankshaft Needle Bearing	
2	Valve Bushing		29	Crankshaft	103A-35
3	Nameplate		30	Drive Bushing	103A-36
	for 103A	103A-301	31	Yoke	103A-37
	for 1033A	1033A-301		Ratchet Head Kit	
4	Warning Label	WARNING-30-99		for 103A	103A-TRK1
5	Inlet Bushing Assembly	103A-A565		for 1033A	1033A-TRK1
	Throttle Kit	103A-TK	32	Wear Washer	
	Throttle Valve		33	Reverse Button	
7	Throttle Valve O-ring		34	Anvil Assembly	
8	Throttle Valve Spring			for 103A	103A-A44
9	Valve Plug			for 1033A	1033A-A44
10	Valve Plug O-ring		35	Reverse Button Stop Pin	
	Trigger Lever Kit	103A-LK	36	Lock Spring	
11	Trigger Lever		37	Lock Pin	
12	Trigger Lever Pin		38	Pawl	
	Motor Assembly	103A-MK	39	Pawl Retaining Pin	
13	Rear Rotor Bearing		40	Friction Spring (2)	
14	Rear Endplate		41	Friction Ball (2)	
15	Motor Alignment Pin		42	Thrust Washer	
16	Rotor		43	Retaining Ring	
17	Vane (4)		*	Oil - Ingersoll-Rand No. 10 (4 oz. bottle)	10Z4
18	Cylinder		*	Grease	
19	Front Endplate			Ingersoll-Rand No. 28 (1 lb can)	28 1 LB
20	Front Rotor Bearing			Ingersoll-Rand No. 28 (8 lb can)	28 8 LB
	Gearing Kit	103A-GK		Ingersoll-Rand No. 66 (1 lb can)	66 1 LB
21	Spindle			Ingersoll-Rand No. 66 (8 lb can)	66 8 LB
22	Planet Gear Shaft (3)				
23	Planet Gear (3)				
24	Internal Gear				
25	Coupling Nut	103A-27			

* o. Abb.