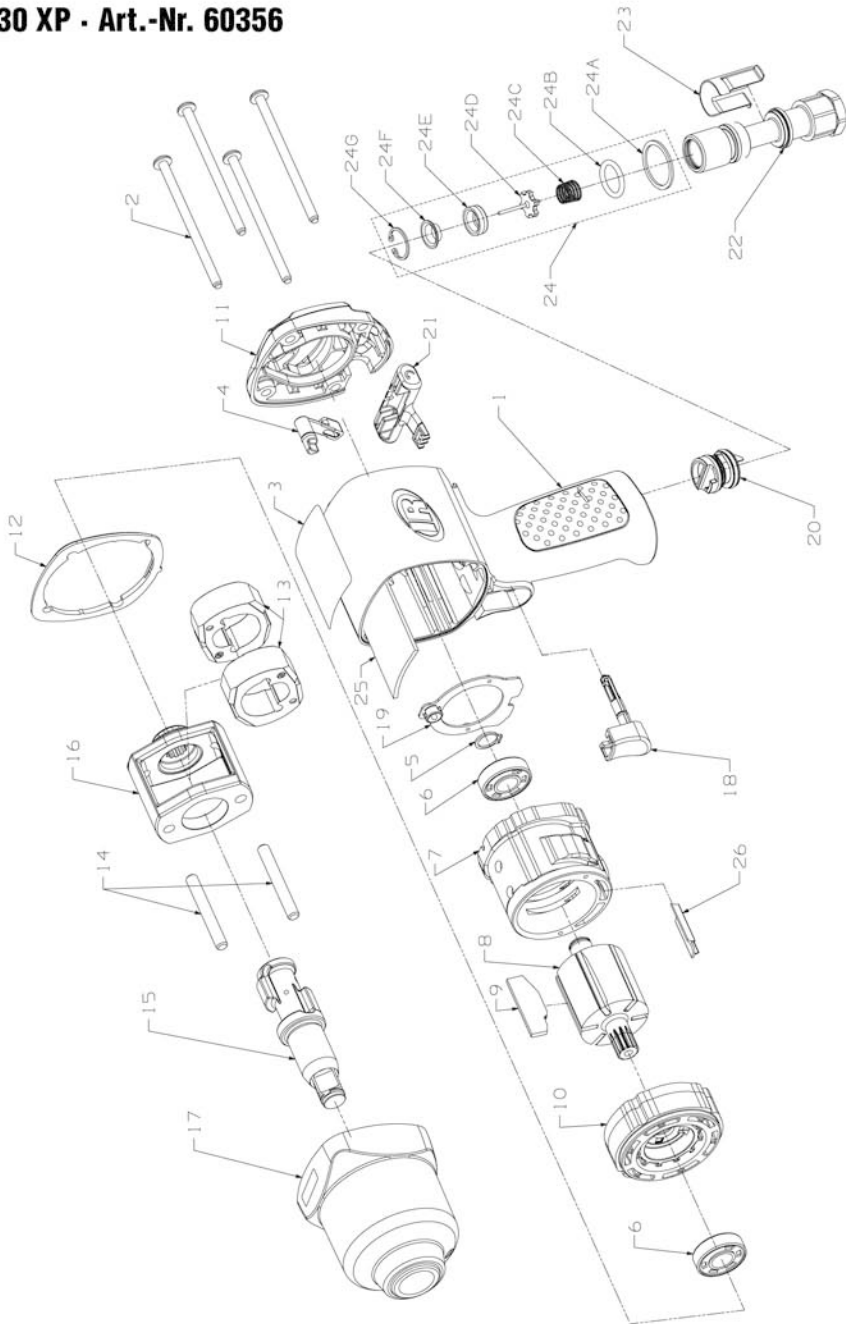


2130 XP - Art.-Nr. 60356



## 2130XP

Item	Part Description	Part Number	Item	Part Description	Part Number
*	Housing Assembly	2130XP-A40	20	Reverse Valve Assembly	2130-D329
1	Housing	---	21	Reverse Button	2130-75
3	Nameplate/Warning Label	---	*	Inlet Bushing Assy (Includes 22, 23 & 24)	2131-D565
2	Screw, Hammer Case (4 required)	2130-638	22	Inlet Bushing	2131-565
3	Nameplate/Warning Label	2130XP-301	23	Inlet Clip	2131-57
4	Power Regulator Assy	2130-D249	24	Inlet Parts Kit	2131-K303
5	Retaining Ring	2131-6	24A	Washer	---
6	Ball Bearing (2 required)	402-22	24B	O-Ring, Seal	---
7	Cylinder	2130-3	24C	Spring	---
8	Rotor	2131-53	24D	Valve	---
9	Vane Pack (set of 6)	2131-42A-6	24E	Seat	---
10	End Plate	2131-11	24F	Support	---
11	Rear Cap	2130-12	24G	Retainer	---
12	Hammer Case Gasket	2130-36	25	Muffler Felt	2130QT-311
*	Impact Mechanism Kit (2130XP)	2130-IMK1	26	Inlet Baffle	2130-318
*	Impact Mechanism Kit (2130XP-2)	2130-IMK2	*	Tune-Up Kit	2130-TK1
12	Hammer Case Gasket	---	5	Retaining Ring	---
13	Hammer (2)	---	6	Ball Bearing (2)	---
14	Hammer Pin (2)	---	9	Vane Pack (set of 6)	---
15	Anvil Assembly	---	12	Hammer Case Gasket	---
16	Hammer Frame	---	18	Trigger Assy	---
*	Kit Grease	---	19	Motor Gasket	---
17	Hammer Case Assy	2130-D727A	20	Reverse Valve Assy	---
18	Trigger Assy	2130-D1093	24	Inlet Parts Kit	---
19	Motor Gasket	2130-283	*	Inlet Clip Removal Tool	2131-322

o. Abb