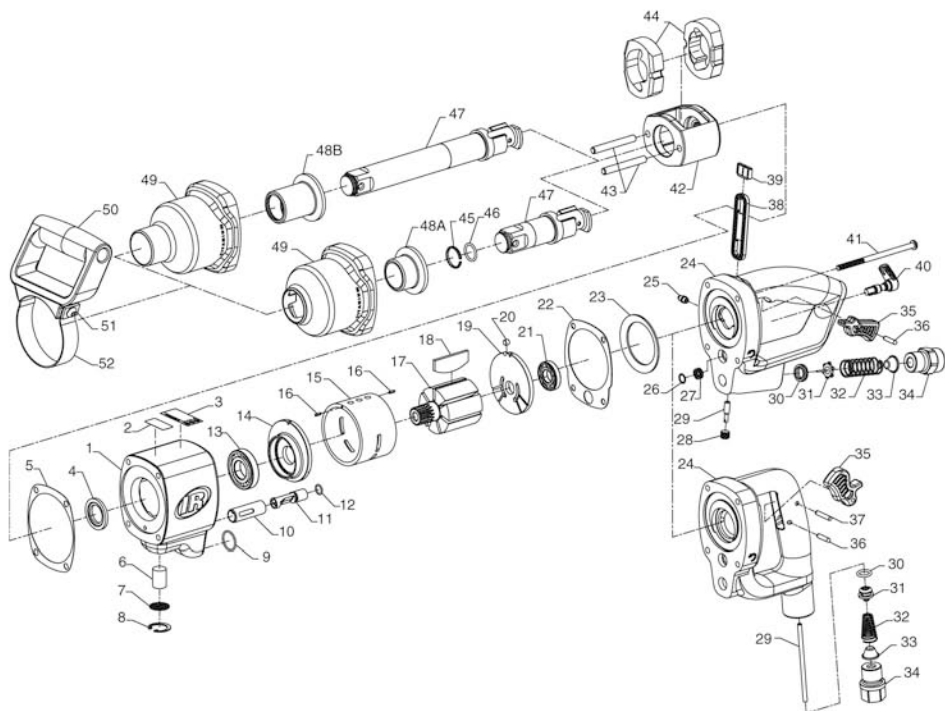


**2190 Ti - Art.-Nr. 60355**  
**2190 Ti-6« - Art.-Nr. 60363**



(Dwg. TP2223)

**2190Ti Series Air Impact Wrench Parts List**

Item	Part Description	Part Number	Item	Part Description	Part Number
*	Housing Assembly	2925B-A40	16	Dowel Pin, Cylinder (2)	---
1	Housing	---	16	Dowel Pin, Cylinder (2 Required)	JC3350-538
3	Warning Label	---	17	Rotor	2080-53
10	Bushing, Reverse Valve	---	18	Vane Pack (Set of 7)	2925-42-7
2	Information Label	1-800-LABEL	19	End Plate, Rear	2161-12
3	Warning Label	WARNING-2-99	20	Dowel Pin, Rear End Plate	2920-74
5	Gasket, Hammer Case	2161-36	21	Bearing, Rear End Plate	4E-510
*	Reverse Valve Assembly	2190-A329	22	Gasket, Handle	2161-739
11	Reverse Valve	---	23	Washer, Motor	2161-207
12	O-Ring, Reverse Valve	---	*	Handle Assembly (2190Ti, 2190Ti-6)	2190-A92
26	Snap Ring, Reverse Lever	---	*	Handle Assembly (2190DTi-6)	2925B-A92
27	Spring, Reverse Lever	---	24	Handle	---
40	Reverse Lever	---	9	O-Ring, Housing	---
13	Bearing, Front End Plate	834-24	22	Gasket, Hammer Case	---
14	End Plate, Front	2161-11	25	Grease Fitting	---
*	Cylinder Assembly	2925-A3	26	Snap Ring, Reverse Lever	---
15	Cylinder	---	27	Spring, Reverse Lever	---

\* o. Abb.

Item	Part Description	Part Number	Item	Part Description	Part Number
28	Pipe Plug (2190Ti, 2190Ti-6)	---	47	Anvil Assembly	---
29	Plunger Pin	---	5	Gasket, Hammer Case	---
30	Valve Seat	---	*	Socket Retainer Kit	2190-SRK1
31	Throttle Valve	---	45	Socket Retainer	---
32	Spring, Inlet	---	46	O-Ring, Socket Retainer	---
33	Air Strainer	---	*	Anvil Assembly (2190Ti)	2080-A726
34	Inlet Bushing Assembly	---	*	Anvil Assembly (2190Ti-6, 2190DTi-6)	2080-A826-6
35	Trigger	---	47	Anvil Assembly	---
36	Trigger Pin	---	46	O-Ring, Socket Retainer	---
37	Dowel Pin, Trigger (2190DTi-6)	---	45	Socket Retainer	---
38	Throttle Actuator (2190Ti, 2190Ti-6)	---	48A	Bushing, Hammer Case (2190Ti)	2161-641
39	Plug (2190Ti, 2190Ti-6)	---	48B	Bushing, Hammer Case (2190Ti-6, 2190DTi-6)	2080-641-6
*	Inlet Parts Kit (2190Ti, 2190Ti-6)	2190-K303	*	Hammer Case Assembly (2190Ti)	2190Ti-D727
*	Inlet Parts Kit (2190DTi-6)	2190D-K303	*	Hammer Case Assembly (2190Ti-6, 2190DTi-6)	2190Ti-6-D727
28	Plug (2190Ti, 2190Ti-6)	---	49	Hammer Case	---
29	Plunger Pin	---	48	Bushing, Hammer Case	---
30	Valve Seat	---	*	Dead Handle Assembly	2080-A48
31	Throttle Valve	---	50	Dead Handle	---
32	Spring, Inlet	---	51	Strap	---
33	Air Strainer	---	52	Cap Screw (2)	---
34	Inlet Bushing Assembly	---	*	Tune-Up Kit	2190-TK1
25	Grease Fitting	R1-188	5	Gasket, Hammer Case	---
*	Trigger Assembly (2190Ti, 2190Ti-6)	2080-A93	6	Silencer, Exhaust	---
*	Trigger Assembly (2190DTi-6)	2925B-93	7	Exhaust Deflector	---
35	Trigger	---	8	Snap Ring, Exhaust	---
36	Trigger Pin	---	9	O-Ring, Housing	---
37	Dowel Pin, Trigger (2190DTi-6)	---	12	O-Ring, Reverse Valve	---
38	Throttle Actuator (2190Ti, 2190Ti-6)	2080-94A	13	Bearing, Front End Plate	---
39	Plug (2190Ti, 2190Ti-6)	2080-95	18	Vane Pack (Set of 7)	---
41	Socket Head Capscrew (4)	2080-638	21	Bearing, Rear End Plate	---
*	Hammer Frame Kit	2190-K703	22	Gasket, Hammer Case	---
42	Hammer Frame	---	27	Spring, Reverse Lever	---
43	Hammer Pin (2)	---	45	Socket Retainer	---
4	Washer, Hammer Frame	---	46	O-Ring, Socket Retainer	---
5	Gasket, Hammer Case	---	*	Air Tool Oil (4oz. bottle)	10Z4
*	Hammer Kit (2190Ti)	2190-THK1	*	Grease (1-lb can)	105-1LB
*	Hammer Kit (2190Ti-6, 2190DTi-6)	2190-6-THK1	*	Grease (8-lb can)	105-8LB
44	Hammer (2)	---			

\* o. Abb.